

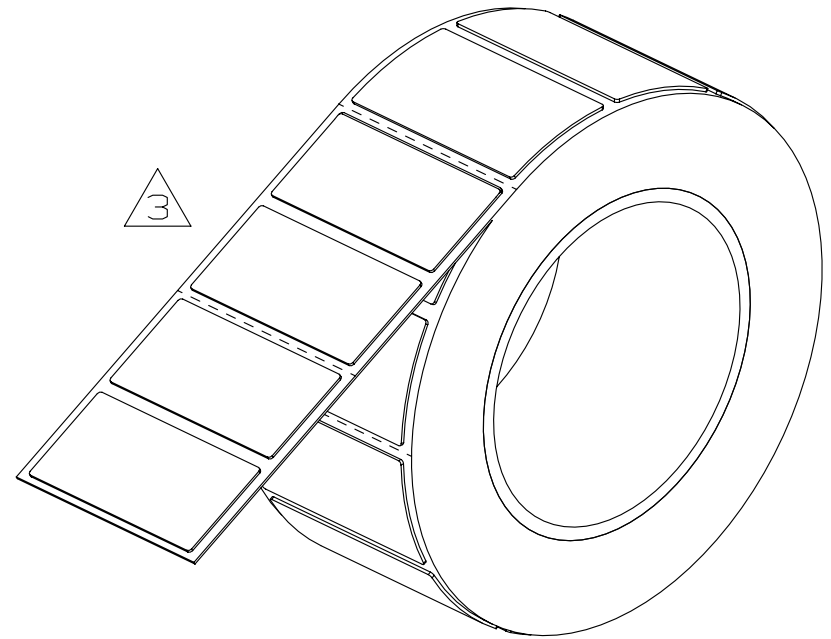
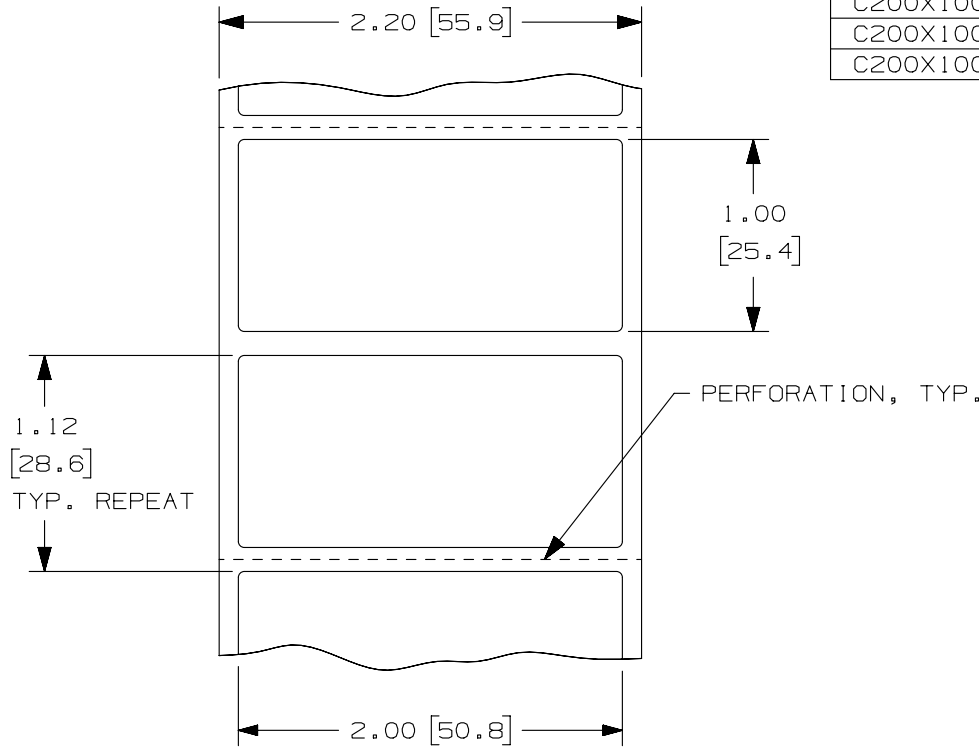
THIS COPY IS PROVIDED ON A RESTRICTED BASIS AND IS NOT TO BE USED IN ANY WAY DETRIMENTAL TO THE INTERESTS OF PANDUIT CORP.

NOTES:

1. DIMENSIONS IN [] ARE IN MILLIMETERS.



| PANDUIT PART NO. | MATERIAL | FACE COLOR | PKG. QTY. | THICKNESS | PRODUCT TYPE |
|------------------|----------|------------|-----------|------------------|---------------------------------|
| C200X100A0T | GMH3 | BLACK | 500 | .030 +/- .010 | POLYESTER/ FOAM COMPONENT LABEL |
| C200X100A8T | | YELLOW | | | |
| C200X100AMT | | SILVER | | | |
| C200X100APT | GMH3-W | WHITE | | | |
| C200X100AST | GMH3 | GREEN | | | |
| C200X100AUT | | ORANGE | | | |
| C200X100AWT | | RED | | | |



| REV | DATE | BY | CHK | APR | DESCRIPTION | ECN |
|-----|---------|-----|------|------|--|------------|
| 3 | 1/11/13 | RVU | DAPE | SEWH | ADD material column and ISO view. Update part numbers sequence list. | GAECN00536 |
| 2 | 5/8/11 | RVU | DAPE | | TOL. SHOULD BE .12, .062, NOT .1, .050. ADD NEW PN: C200X100AUT. | 6348 |
| 1 | 1/14/09 | RVU | DAPE | | ADDED "TYP. REPEAT". | 5592 |
| 0 | 9/5/08 | RVU | DAPE | PTR | DRAWING RELEASE. | 5537 |

| | | | | |
|---|----------------------|--|-------|------|
| TITLE | | RAISED PANEL PUSH BUTTON LABELS C200X100A*T | | |
| ITEM REVISION NAME | | CUSTOMER DRAWING | | |
| DATASET FILE NAME | | 100491BQ/05 | | |
| MATERIAL: | | SEE TABLE | | |
| DRAWING NUMBER: | | C10730 | | |
| UNLESS OTHERWISE SPECIFIED, DIMENSIONAL TOLERANCES ARE: IN (mm) | | | | |
| .x ± .12 [3.05] | .xxx ± .025 [.635] | | | |
| .xx ± .062 [1.57] | ANGLES ± | | | |
| THIRD ANGLE PROJECTION | | | | |
| DRAWN BY | DATE | CHK | SCALE | SIZE |
| RVU | 9/5/08 | SCWE | NTS | A |
| SHT 1 OF 1 | | | | |

D10100DA/12